



BACKUP ALARM

390 Series



Function: Self Adjusting
Backup Alarm (82-107dB)

Size: 125 x 75mm

Housing: Reinforced Nylon

Product Specifications

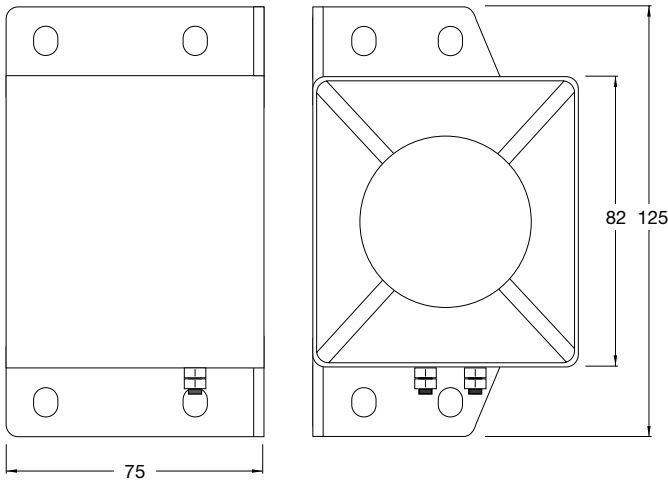
Input Voltage: 12V-48V DC

Current Draw: 0.6 Amps

Standards: SAE J994-backup alarm

Mounting: Any position except face up

Features: This alarm is self-adjusting based on the amount of noise in the surrounding area. This keeps it at safe levels while reducing noise irritation for operators and workers.



Part No.	dB	Voltage	Description
1100151	82-107	12-48V	Self Adjusting Backup alarm