



Emergency

401 Series



Function: Strobe Lamp

Size: 125mm round

Lens: Polycarbonate

Housing: Reinforced Nylon

Product Specifications

Light Source: Xenon Flash Tube

Input Voltage: 12-80V DC

Current Draw: 0.65 Amps @ 12V
0.15 Amps @ 80V

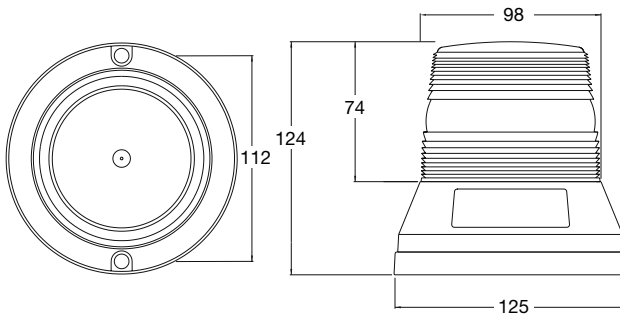
Flash Energy: 2.5 Joules @12V 0.5 Amps

Flash Rate: 60 ± 10fpm

Standard: UL recognised, CE Mark

Mounting: Magnetic base

Wiring: 1.2m coil cord, auxillary power plug



Available Lens Colours



Part No.	Lens	Voltage	Light Output	Description
0644111	Polycarbonate	12-80V	Amber	Amber Strobe Lamp, Magnetic Base
3148681	-	-	-	Xenon Flash Tube
4429681	-	-	-	Amber Lens
4429690	-	-	-	Red Lens
4429710	-	-	-	Blue Lens
4429700	-	-	-	Clear Lens