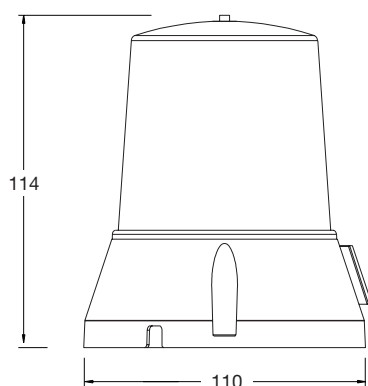


Emergency lamps 404 series



Function: LED Strobe Lamp
*Class 2

Size: 110mm Round

Lens: Acrylic

Housing: Reinforced Nylon

Product Specifications

Light Source: LED (Light Emitting Diodes)

Input Voltage: 12-24V or 36-72V DC

Current Draw: 1.0 Amp

Flash Rate: Mode 1 - 240fpm

Mode 2 - 340fpm

Mode 3 - 540fpm

Mode 4 - Operates as rotating
beacon

Standard: SAE J575-Environmental

*Flash mode 1 (Amber only) meets
SAE J845 Class 2

Mounting: Universal mount

Wiring: Pre-wired with 150mm cable

Red = Positive

Black = Negative

Yellow = Mode change

Available Lens Colours



Part No.	Lens	Voltage	Light Output	Description
0645201	Polycarbonate	12-24V	Amber	Amber LED Strobe Lamp
0645271	Polycarbonate	12-24V	Blue	Blue LED Strobe Lamp
0645281	Polycarbonate	12-24V	Red	Red LED Strobe Lamp
0645681	Polycarbonate	36-72V	Amber	Amber LED Strobe Lamp