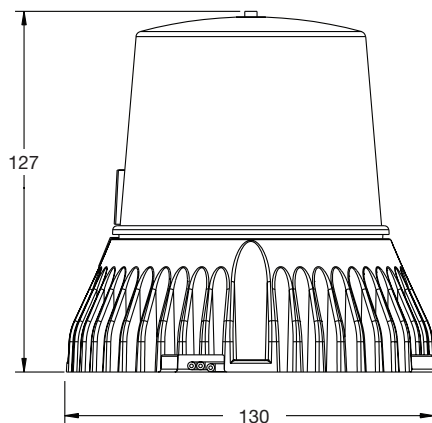


405 series



Function: LED Strobe Lamp
*Class 1

Size: 130mm Round

Lens: Acrylic

Housing: Die-Cast

Product Specifications

Light Source: LED (Light Emitting Diodes)

Input Voltage: 12-80V DC

Current Draw: 1.0 Amp

Flash Rate: Mode 1 - 240fpm

Mode 2 - 340fpm

Mode 3 - 540fpm

Mode 4 - Operates as rotating beacon

Standard: Sealed to IP65

*Flash mode 1 (Amber only) meets
SAE J845 Class 1 warning device
ECE Reg 65 Special warning lights

Mounting: Universal mount

Wiring: Pre-wired with 150mm cable

Red = Positive

Black = Negative

Yellow = Mode change

Available Lens Colours



Part No.	Lens	Voltage	Light Output	Description
0645531	Polycarbonate	12-80V	Amber	Amber LED Strobe Lamp
0645731	Polycarbonate	12-80V	Blue	Blue LED Strobe Lamp
0645711	Polycarbonate	12-80V	Red	Red LED Strobe Lamp
0645721	Polycarbonate	12-80V	Green	Green LED Strobe Lamp
7041050	-	-	-	Magnetic Base to suit 405 series