



Emergency

707 Series



Function: LED Strobe Lamp
*Class 2

Size: 144 x 95mm Oval

Lens: Polycarbonate

Housing: Die-Cast

Product Specifications

Light Source: LED (Light Emitting Diodes)

Input Voltage: 12-48V DC

Current Draw: 1.5 Amp

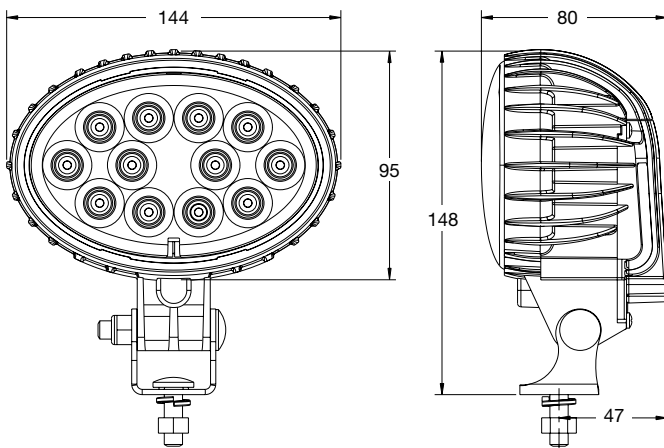
Flash Rate: *Mode 1 - Flash pattern meets
SAE J845 Class 2 with 80° spread
Mode 2 - Fast flash
Mode 3 - Double flash
Mode 4 - Flash burst
Mode 5 - Slow single flash

Standard: *SAE J845 Class 2 warning device
Sealed to IP67

Connector: Integrated 2-pin Deutsch
weather-proof socket

Mounting: Universal mount

Wiring: Supplied with 2-pin Deutsch
weather-proof plug with 300mm cable



Amber Light Output



Part No.	Lens	Voltage	Light Output	Description
1704221	Polycarbonate	12-48V	Amber	Amber LED Strobe Lamp - *Class 2