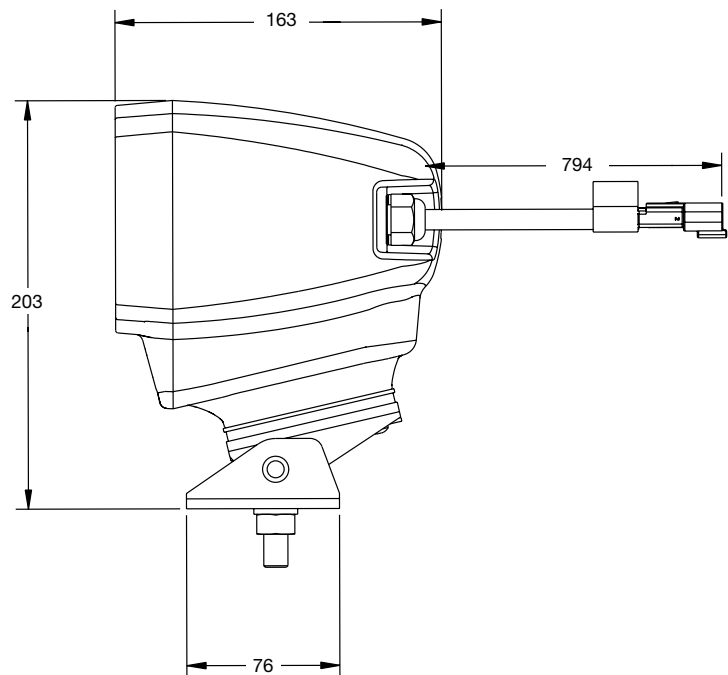
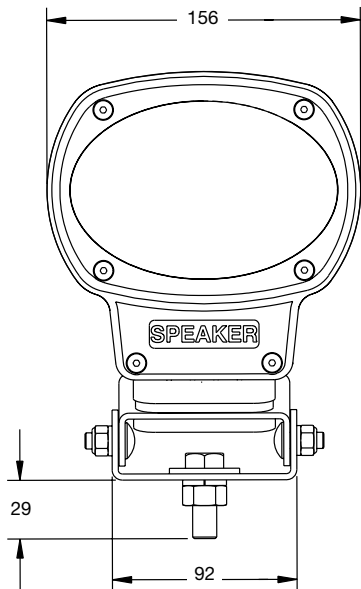




Function:	Worklamp
Size:	156 x 111mm
Lens:	Glass
Housing:	Reinforced Nylon

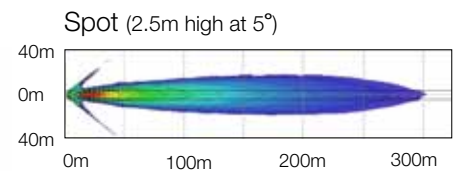
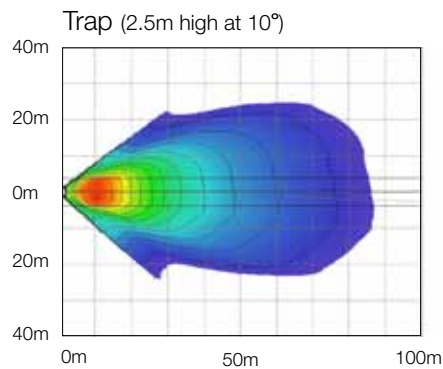
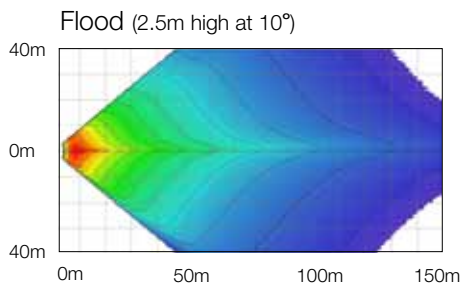
Product Specifications

Light Source:	HID (High Intensity Discharge)
Input Voltage:	12V or 24V DC
Current Draw:	3.3 Amps @ 12 volts 1.65 Amps @ 24 volts
Lumens	Clear lens – 2100 lumens Amber lens – 1700 lumens
Standards:	Sealed to IP68
Connector:	Integrated 2-pin Deutsch weather-proof socket
Mounting:	Heavy duty universal, stainless mount
Wiring:	Pre-wired loom, 2-pin Deutsch weather-proof socket, 740mm cable





Effective Lumens Isolux Charts



Part No.	Pattern	Voltage	Wattage	Light Output	Description
1703121	Flood	12V	35W	White	Complete worklamp
1704771	Flood	12V	35W	Amber	Complete worklamp-Amber
1701451	Flood	12V	35W	White	Complete worklamp-Marine
1703131	Trap	12V	35W	White	Complete worklamp
1703141	Spot	12V	35W	White	Complete worklamp
1703151	Flood	24V	35W	White	Complete worklamp
1704101	Flood	24V	35W	Amber	Complete worklamp-Amber
1705351	Flood	24V	35W	White	Complete worklamp-Marine
1703171	Trap	24V	35W	White	Complete worklamp
1703161	Spot	24V	35W	White	Complete worklamp
85410	-	-	-	-	85V 35W Philips D1S bulb
6600440	-	-	-	-	12V Ballast
6600450	-	-	-	-	24V Ballast
3155021	-	-	-	-	Flood lens insert
3155041	-	-	-	-	Trap lens insert
3155031	-	-	-	-	Spot lens insert
3258870	-	-	-	-	Ballast cable 175mm
3154562	-	-	-	-	Ballast to bulb cable