



Halogen

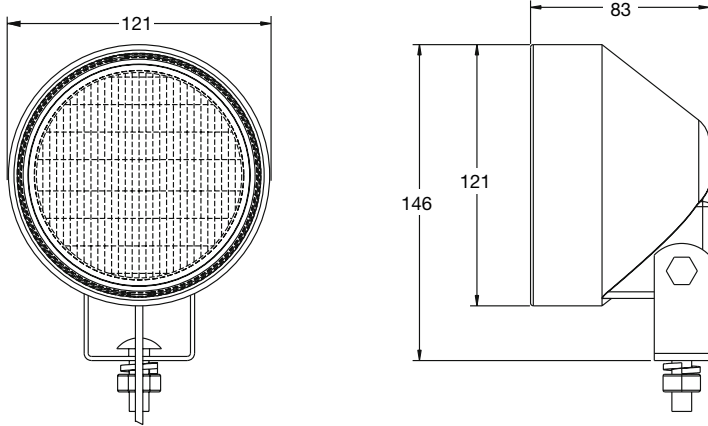
6700 Series



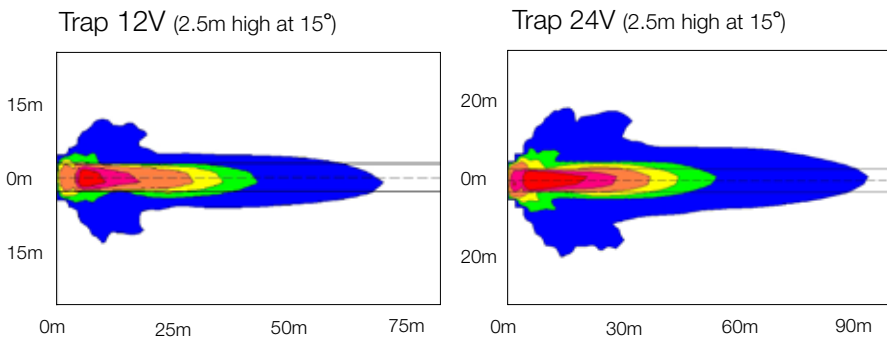
Function:	Worklamp
Size:	121mm Round
Lens:	Glass
Housing:	Rubber

Product Specifications

Light Source:	Sealed Beam
Input Voltage:	12V or 24V DC
Current Draw:	2.8 Amps @ 12 volts 1.8 Amps @ 24 volts
Mounting:	Universal mount
Wiring:	Pre-wired with 300mm cable



Effective Lumens Isolux Charts



Part No.	Pattern	Voltage	Wattage	Description
1400091	Trap	12V	35W	Complete worklamp with sealed beam
1400131	Trap	24V	50W	Complete worklamp with sealed beam
4903281	-	-	-	PAR36 12V 35W sealed beam 114mm
4903471	-	-	-	PAR36 24V 50W sealed beam 114mm