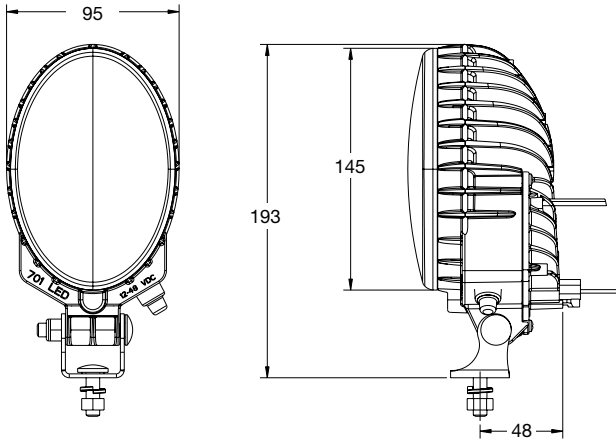




LED

736 Series

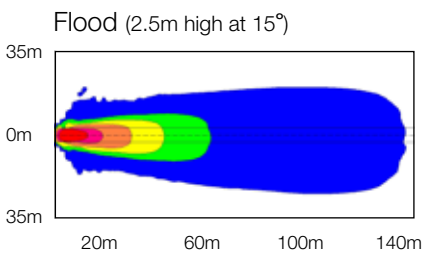


Function:	Worklamp (Vertical Flood)
Size:	95 x 145mm oval
Lens:	Polycarbonate
Housing:	Die-Cast

Product Specifications

Light Source:	LED (Light Emitting Diodes)
Raw:	2700 Lumens
Effective:	1400 Lumens
Input Voltage:	12 or 24V DC
Current Draw:	3.7 Amps @ 12V 1.7 Amps @ 24V
Standards:	Sealed to IP67 SAE J575-Sealed, shock & vibration SAE 1113 EMI SAE 1455
Connector:	Integrated 2-pin Deutsch weather-proof socket
Mounting:	Universal mount
Wiring:	Supplied with 2-pin Deutsch weather-proof plug with 300mm cable

Effective Lumens Isolux Charts



Part No.	Pattern	Lens	Voltage	Light Output	Description
1704911	Flood	Polycarbonate	12V	White	Complete worklamp
1704961	Flood	Polycarbonate	24V	White	Complete worklamp