



Lamp Inserts

6040 Series



Function: LED Worklight Insert
 Size: 114mm Round (4^{1/2}"")
 Lens: Glass / Polycarbonate

Product Specifications

Light Source: LED (Light Emitting Diodes)

Raw: 690 Lumens

Effective: 280 Lumens

Input Voltage: 12-48V DC

Current Draw: 1.2 Amps @ 12V

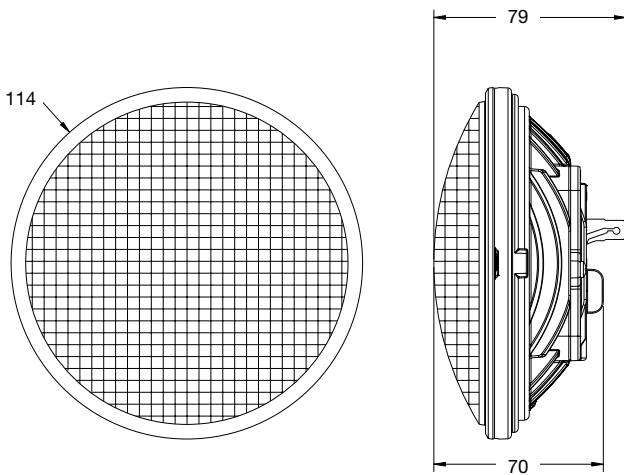
0.63 Amps @ 24V

0.42 Amps @ 36V

0.315 Amps @ 48V

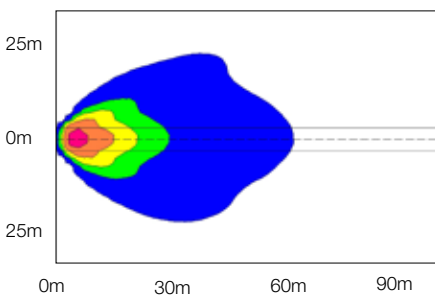
Standards: Sealed to IP67, UL Recognized

Connector: Blade terminals

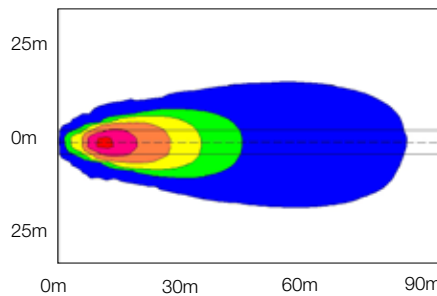


Effective Lumens Isolux Charts

Flood (2.5m high at 15°)



Trap (2.5m high at 10°)



Part No.	Pattern	Lens	Voltage	Light Output	Description
3153501	Flood	Glass	12-48V	White	PAR36 LED sealed beam 114mm
3154081	Flood	Polycarbonate	12-48V	White	PAR36 LED sealed beam 114mm
3153491	Trap	Glass	12-48V	White	PAR36 LED sealed beam 114mm