



# Lamp Inserts

## 8700 Series



Function: LED Headlight Insert

Size: 178mm Round (7")

Lens: Glass

Housing: Die-Cast

### Product Specifications

Light Source: LED (Light Emitting Diodes)

Raw: 1200 Lumens

Effective: Low Beam 600 Lumens

High Beam 650 Lumens

Input Voltage: 12-24V DC

Current Draw: 2.45 Amps @ 12 volts

1.2 Amps @ 24 volts

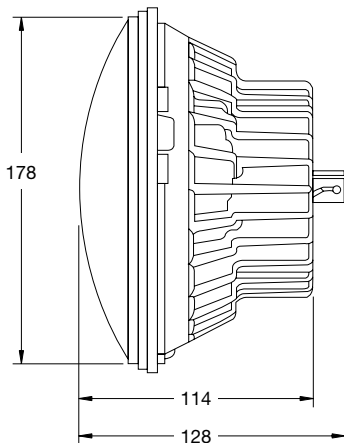
Standards: ECE Reg 112

MIL-STD-461

Sealed to IP67

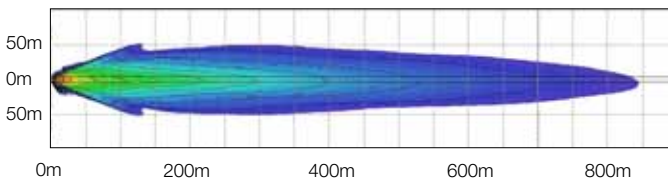
Wiring: H4 plug adaptor

Features: Direct replacement for standard 178mm (7") sealed or semi-sealed headlight inserts

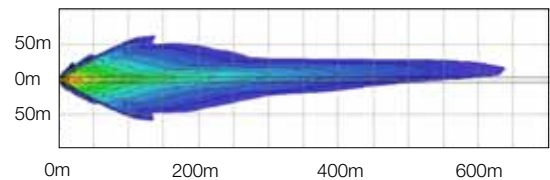


### Effective Lumens Isolux Charts

High Beam (1m high at 0°)



Low Beam (1m high at 0°)



Part No.	Pattern	Lens	Voltage	Light Output	Description
0544911	High/Low	Glass	12-24V	White	Headlight insert-ECE