



Lamp Inserts

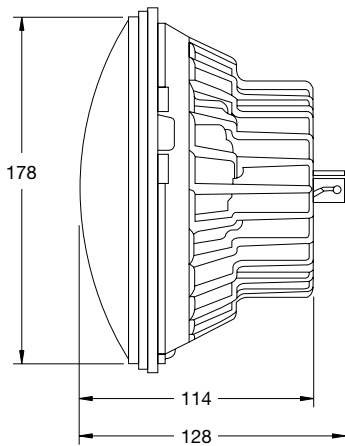
8700 Series



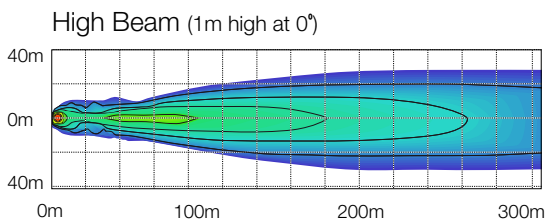
Function: LED Headlight Insert
 Size: 178mm Round (7")
 Lens: Hardened Glass
 Housing: Die-Cast Aluminium

Product Specifications

Light Source: LED (Light Emitting Diodes)
 Raw: 1900 Lumens
 Effective: 950 Lumens
 Input Voltage: 12-24V DC
 Current Draw: 2.5 Amps @ 12 volts
 1.3 Amps @ 24 volts
 Standards: ECE Reg 112
 Wiring: H4 plug adaptor
 Mounting: Replaces PAR56 7" (178mm)
 Warranty: 4-year Limited Warranty



Effective Lumens Isolux Charts



Part No.	Pattern	Lens	Voltage	Light Output	Description
0545781	High	Glass	12-24V	White	High beam headlight insert