



# Lamp Inserts

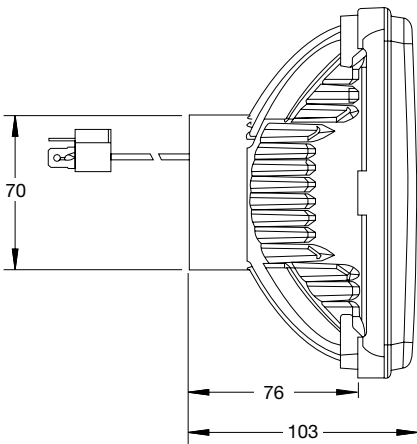
## 8800 Series



Function: LED Headlight Insert  
 Size: 102 x 152mm (4 x 6")  
 Lens: Glass

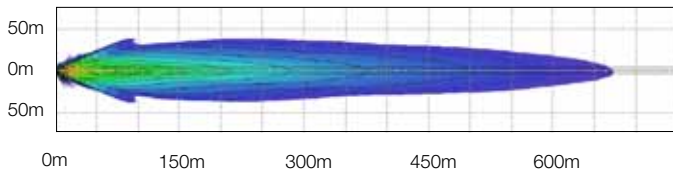
### Product Specifications

Light Source: LED (Light Emitting Diodes)  
 Raw: 1500 Lumens  
 Effective: Low Beam 850 Lumens  
 High Beam 850 Lumens  
 Input Voltage: 12-24V DC  
 Current Draw: 2.7 Amps @ 12 volts,  
 1.3 Amps @ 24 volts  
 Standards: ECE Reg. 112  
 Sealed to IP67  
 Wiring: H4 plug adaptor

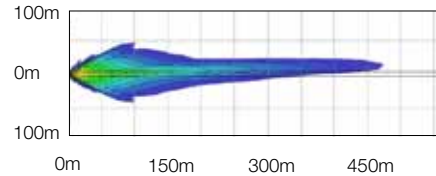


### Effective Lumens Isolux Charts

High Beam (1m high at 0°)



Low Beam (1m high at 0°)



Part No.	Pattern	Lens	Voltage	Light Output	Description
0544961	Low	Glass	12-24V	White	Low Beam Headlight insert-ECE
0543811	High	Glass	12-24V	White	High Beam Headlight insert-SAE