



Lamp Inserts

890 Series



Function: LED Worklamp Insert

Size: 76 x 127mm (3 x 5")

Lens: Polycarbonate

Product Specifications

Light Source: LED (Light Emitting Diodes)

Raw: 180 Lumens

Effective: 120 Lumens

Input Voltage: 12-48V DC

Current Draw: 0.226 Amps @ 12 volts

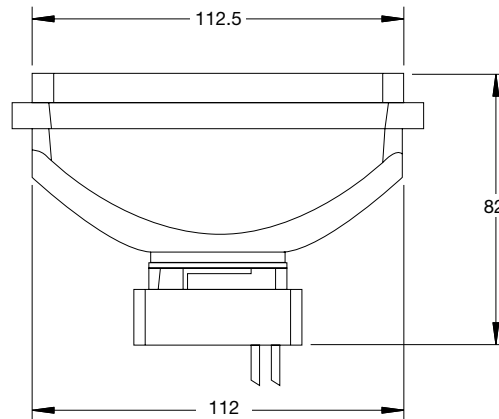
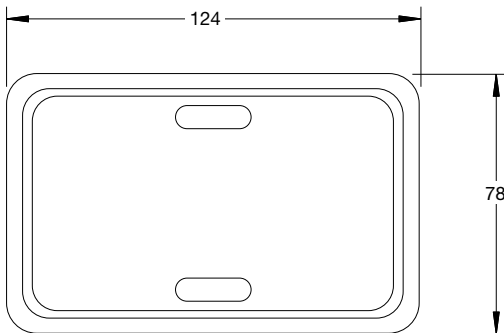
0.101 Amps @ 28-volts

0.080 Amps @ 36-volts

0.065 Amps @ 48-volts

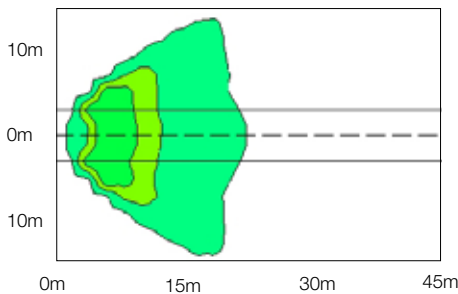
Standards: -

Wiring: Pre-wired with 120mm cable



Effective Lumens Isolux Charts

Flood (2.5m high at 15°)



Part No.	Pattern	Lens	Voltage	Light Output	Description
0543422	Flood	Polycarbonate	12-48V	White	Floodlamp Worklamp insert