



Headlamps & Inserts

8900 Series



Function: LED Headlight Insert with Park Light

Size: 127 x 178mm (5 x 7")

Lens: Glass / Polycarbonate

Product Specifications

Light Source: LED (Light Emitting Diodes)

Raw: 1,770 Lumens

Effective: Low Beam 650 Lumens

High Beam 850 Lumens

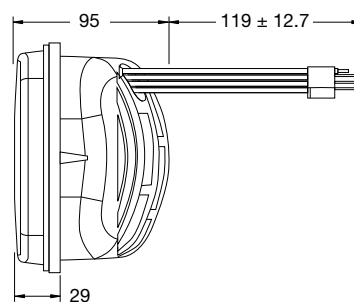
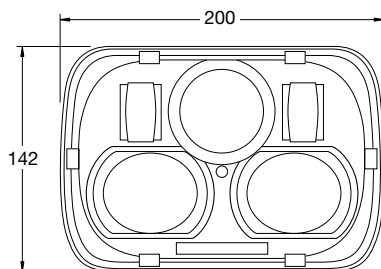
Input Voltage: 12-24V DC

Current Draw: 0.600-4.300 Amps @ 12V DC

0.400-2.200 Amps @ 24V DC

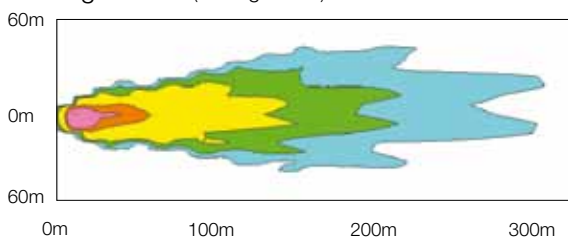
Standards: ECE Reg. 7 ECE Reg. 112 (Class B)
Sealed to IP67

Wiring: H4 plug adaptor

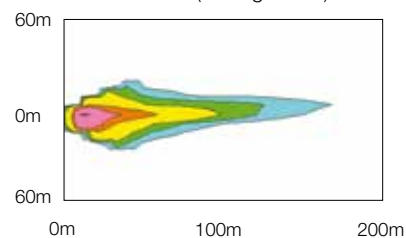


Effective Lumens Isolux Charts

High Beam (1m high at 0°)



Low Beam (1m high at 0°)



| Part No. | Pattern | Lens | Voltage | Light Output | Description |
|----------|----------|---------------|---------|--------------|--------------------------------|
| 0545851 | High/Low | Glass | 12-24V | White | High/Low Beam Headlight insert |
| 0547271 | High/Low | Polycarbonate | 12-24V | White | High/Low Beam Headlight Insert |