



Marine

900 Series



Function: Worklamp (Halogen)

Size: 172 x 120mm

Lens: Glass

Housing: Reinforced Nylon

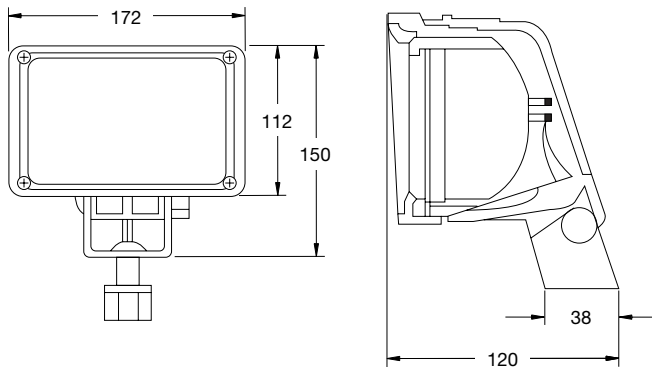
**Product Specifications**

Light Source: Halogen Sealed Beam

Input Voltage: 12V DC

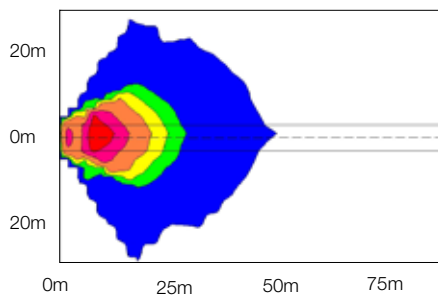
Mounting: Universal mount, stainless hardware

Wiring: Pre-wired with 300mm cable



**Effective Lumens Isolux Charts**

Flood (2.5m high at 15°)



Part No.	Pattern	Voltage	Wattage	Light Output	Description
1229845	Flood	12V	50W	White	Complete worklamp-Halogen sealed beam
4929401	-	-	-	-	12V 50W Halogen sealed beam